

Features

- Universal input 90~264V DC
- Direct UK fixed Plugtop Adapter
- Approved to UKCA, CE, RoHS & REACH
- IEC/EN 62368-1 Safety Approved
- Meets Efficiency Level VI & (EU) 2019/1782
- EMC Class B Certified
- Single Output 5-30V DC
- OVP, OCP, OTP & Short Circuit



Ideal Power's 15DYS824-xyW-3-RS 24W AC/DC External Adapter UK Plugtop Power Supply (PSU) Series are certified to UKCA, CE, RoHS, REACH & UL/IEC/EN 62368-1 Standards and comply with (EU) 2019/1782, Level VI Efficiency Regulations. These are primarily used in ITE, Audio & Video Industries and customised solutions are available upon request.

Models

| Model Number | RS Part No | Output Voltage | Output Current | Output Power |
|-----------------------|------------|----------------|----------------|--------------|
| 15DYS824-050400W-3-RS | 201-2633 | 5VDC | 4A | 20W |

Input Data

| | Min | Typical | Max | Units | Notes |
|-----------------|-----|---------|------|-------|------------------------------|
| Input Voltage | 90 | | 264 | V AC | 100-240VAC +/- 10% |
| Input Frequency | 47 | | 63 | Hz | 50-60Hz +/- 5% |
| Input Current | | 0.7 | | A | |
| Inrush Current | 0 | | 60 | A | At cold start, 100 / 240V AC |
| Leakage Current | | | 0.25 | mA | |

Output Data

| | Min | Typical | Max | Units | Notes |
|--------------------------|-----|---------|-----|-------|---|
| Output Voltage | | 5 | | % | |
| Ripple & Noise | | | | | ≤150mV |
| Over Current Protection | | | | | Typically, 115-135% of Rated Current |
| Short Circuit Protection | | | | | Continuous short circuit proof. Will recover if fault condition is removed |
| Over Voltage Protection | | | | | Will recover if fault condition is removed |

Environmental Data

| | Min | Typical | Max | Units | Notes |
|-----------------------|-----|---------|-----|-------|----------------------|
| Operating Temperature | 0 | | +40 | °C | |
| Storage Temperature | -20 | | +80 | °C | |
| Operating Humidity | 10 | | 90 | °C | Operating 10% to 90% |
| Operating Humidity | 5 | | 95 | °C | Storage 5% to 95% |

Other Information

| | Min | Typical | Max | Units | Notes |
|------------|-----|---------|-----|-------|---|
| Isolation | | | | | Primary to Secondary: 4242VDC or 3000VAC / 5mA _{Max} / 60second(3 seconds for mass production) |
| MTBF | | 50,000 | | hrs | At 80% load and 25°C |
| Weight | | | | | 200 +/-10g |
| Dimensions | | | | | Refer to mechanical drawings |

EMC Emissions (2014/30/EU)

| | Standard | Test Level | Criteria | Notes |
|---------------------------------|--------------|------------|----------|--------------------------|
| Conducted | EN 55032 | Pass | B | EMC Directive 2014/30/EU |
| Radiated | EN 55032 | Pass | B | |
| Harmonic Standard | EN 61000-3-2 | N/A | Class D | |
| Voltage Fluctuation and Flicker | EN61000-3-3 | | | Pass |

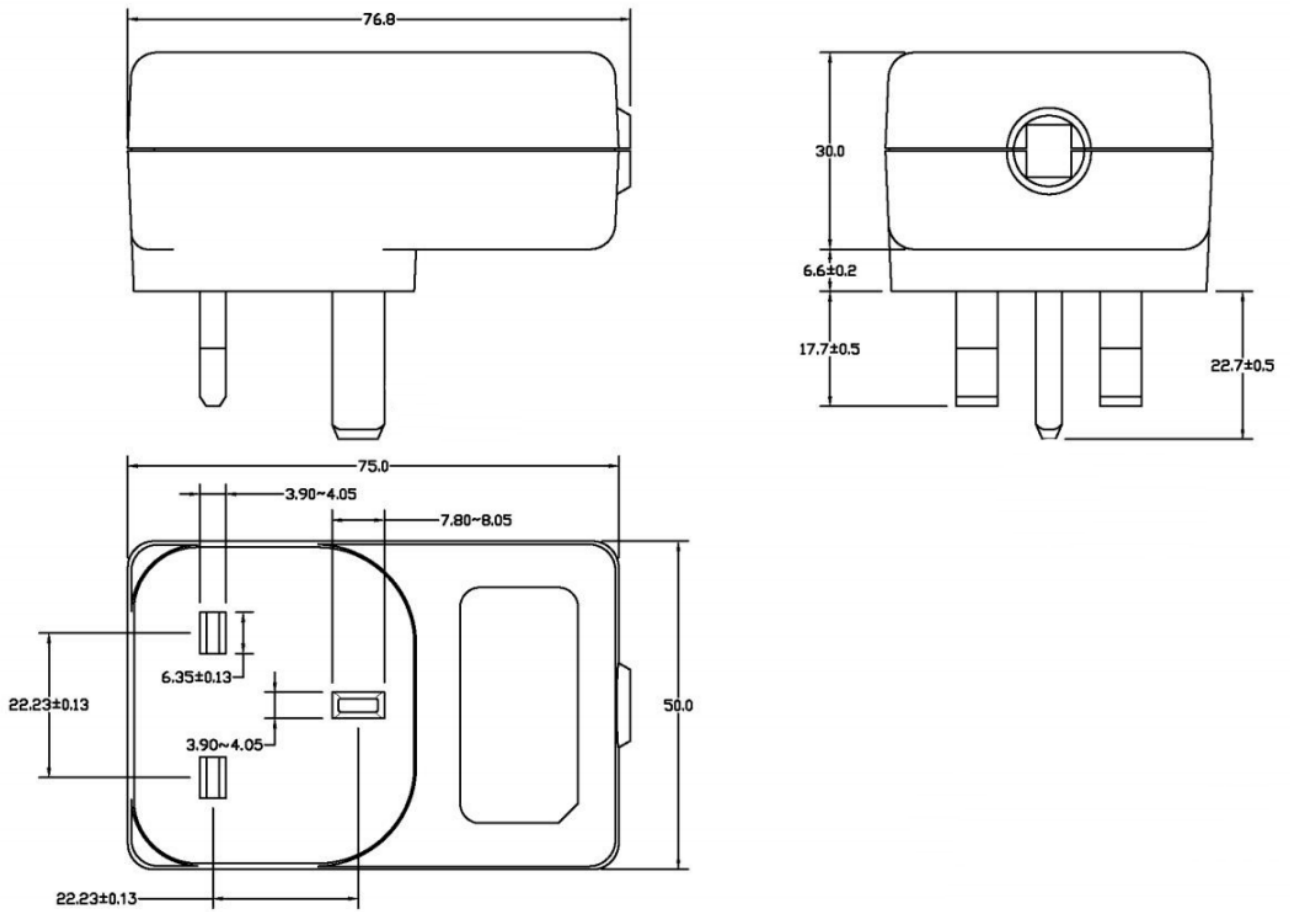
EMC Immunity (2014/30/EU)

| Test Item | Standard | Test Method | Test Level | Result |
|--|---------------|---|---|--------|
| Electrostatic Discharge Immunity (ESD) | EN 55035:2017 | EN 61000-4-2:2009 | Contract Air <u>+4kV</u> <u>+8kv</u> | Pass |
| Continuous RF electromagnet field Disturbance's immunity (80MHz to 5 GHz swept test and spot test) | EN 55035:2017 | EN 61000-4-2:2006 +A1: 2008 +A2:2010 | 3V/m 80% 1kHz AM | Pass |
| Electrical Fast Transient (EFT) on AC | EN 55035:2017 | EN 61000-4-2:2012 | AC <u>+1.0kV</u> | Pass |
| Surge immunity on AC mains | EN 55035:2017 | EN 61000-4-2:2014 +A1:2017 | <u>+1.0kV</u> <u>+2.0kV</u> DM CM | Pass |
| Surge immunity on Signal port | EN 55035:2017 | EN 61000-4-2:2014 +A1:2017 | <u>+1.0kV</u> CM | N/A |
| Continuous induced RF disturbance (150Hz to 80MHz) | EN 55035:2017 | EN 61000-4-6:2014 | 3Vrms (emf), 80%, 1kHz, Amp, Mod | Pass |
| Power Frequency Magnetic Field | EN 55035:2017 | N/A | 50 HZ 1A/m | N/A |
| Voltage dips and interruptions on AC | EN 55035:2017 | EN 61000-4-11:2017 | 0%U _T *for 0.5per 0%U _T * for250per70%U _T *for25per | Pass |

Safety Approvals

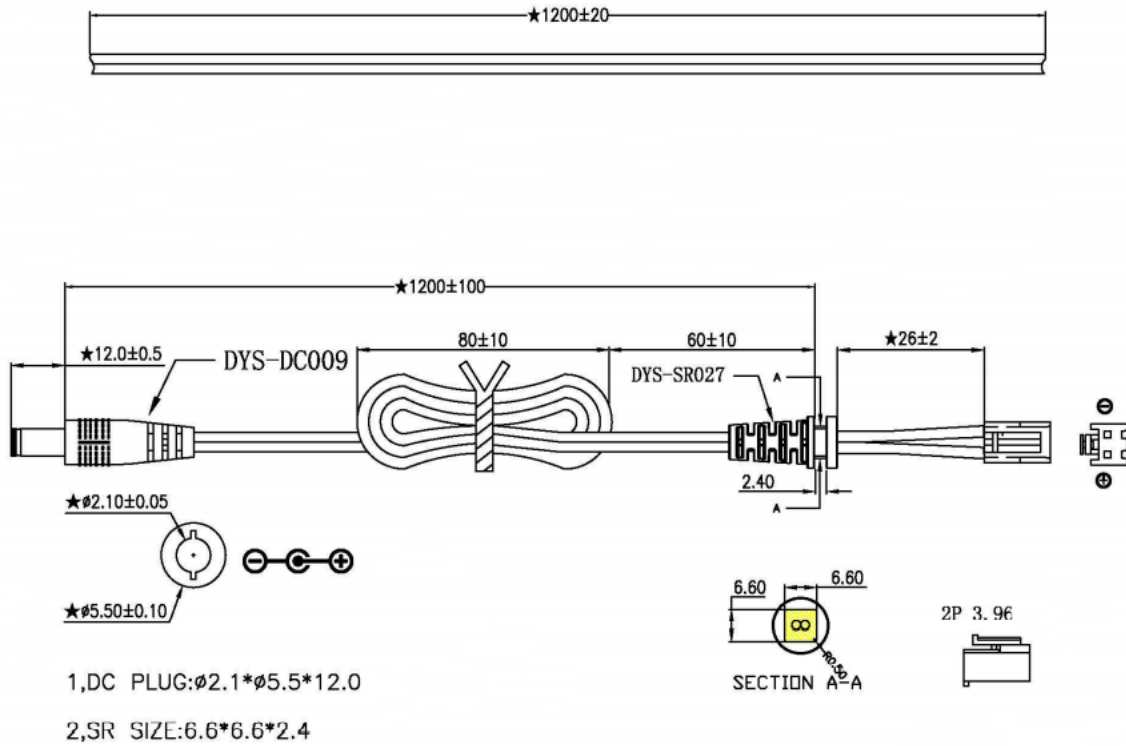
| | Safety Standards |
|-----------------------------|--|
| RoHS/REACH | RoHS Directive (EU) 2015/863 & REACH (205 SVHC) |
| CE LVD Directive 2014/35/EU | Yes (UK/European) – Only applicable for UK & EURO plugs. |
| cULus | Yes – Only applicable for US plug. |
| TUV | Yes (German/European) – Only applicable for EURO plug. |
| RCM & C-Tick | Yes – Only applicable for Australian plug. |

Mechanical Drawing



AC – DC

Mechanical Drawing (Cord)



Mechanical Drawing (Plug)

